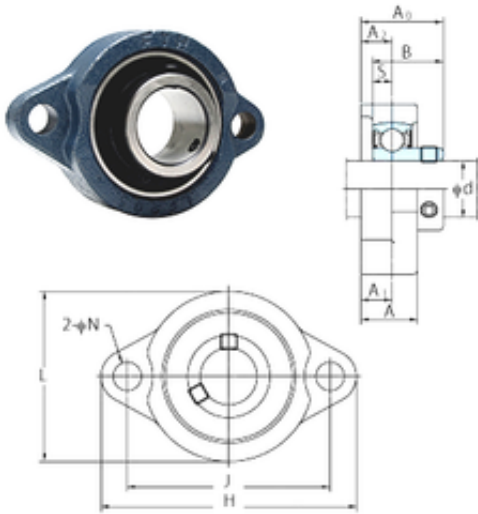




Bea cojinetes Private Co.



FYH BLF206-18 Unidad De Rodamiento

Bearing No. BLF206-18

| | |
|--------------------------------|-----------|
| Bore Diameter | 28,575 mm |
| d | 28,575 mm |
| A0 | 34 mm |
| A | 22,5 mm |
| A1 | 12 mm |
| B | 30 mm |
| H | 113 mm |
| J | 90,5 mm |
| L | 76 mm |
| N | 12 mm |
| S | 8 mm |
| Bolt (G) | M10 |
| A2 | 12 mm |
| Weight | 0,57 Kg |
| Dynamic load rating radial (C) | 19,5 kN |
| Static load rating radial (C0) | 11,3 kN |

BLF206-18 Bearing 2D drawings and 3D CAD models