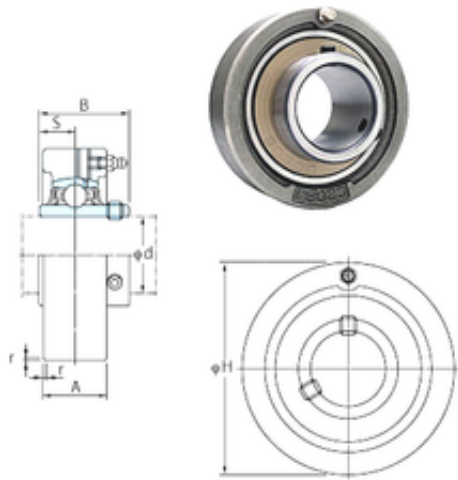




## Bea cojinetes Private Co.

### FYH UCC209-27 Unidad De Rodamiento



Bearing No. UCC209-27

Bore Diameter	42,8625 mm
Width	49,2 mm
d	42,8625 mm
r	2 mm
A	31 mm
B	49,2 mm
H	110 mm
S	19 mm
Weight	1,5 Kg
Basic dynamic load rating (C)	34,1 kN
Basic static load rating (C0)	21,3 kN

UCC209-27 Bearing 2D drawings and 3D CAD models