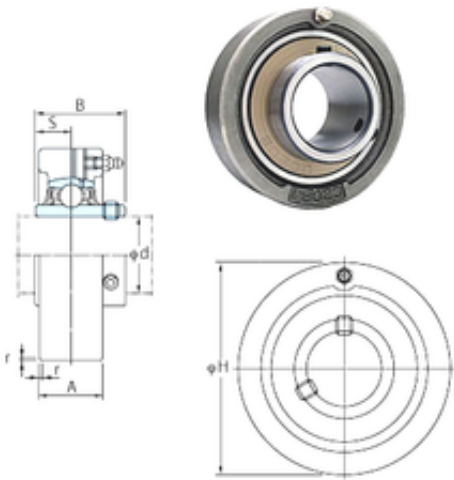




Bea cojinetes Private Co.

FYH UCC313-40 Unidad De Rodamiento

Bearing No. UCC313-40



Bore Diameter	65 mm
Width	75 mm
d	65 mm
r	3 mm
A	50 mm
B	75 mm
H	170 mm
S	30 mm
Weight	5,7 Kg
Basic dynamic load rating (C)	92,7 kN
Basic static load rating (C0)	59,9 kN

UCC313-40 Bearing 2D drawings and 3D CAD models