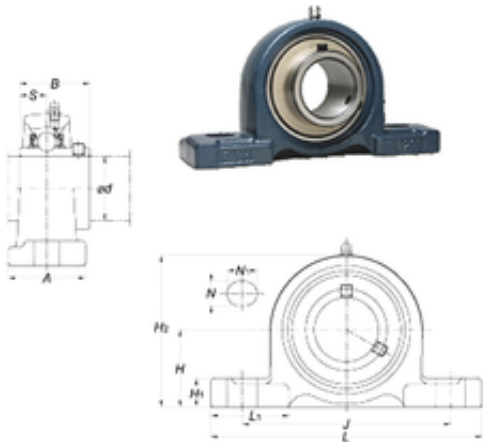




Bea cojinetes Private Co.

FYH UCPX16 Unidad De Rodamiento



Bearing No. UCPX16

Bore Diameter	80 mm
Width	85,7 mm
d	80 mm
A	102 mm
B	85,7 mm
H	101,6 mm
H1	34 mm
H2	195 mm
J	283 mm
L	381 mm
L1	116 mm
N	27 mm
N1	58 mm
S	34,1 mm
Bolt (G)	M22
Weight	15,3 Kg
Basic dynamic load rating (C)	84 kN
Basic static load rating (C0)	61,9 kN
Category	Mounted Units & Inserts
Inventory	0.0
Manufacturer Name	FYH BEARING UNITS
Minimum Buy Quantity	N/A
Weight / Kilogram	0
Product Group	M06110

UCPX16 Bearing 2D drawings and 3D CAD models