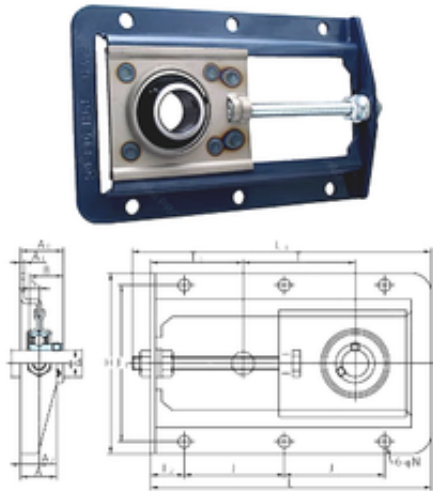




Bea cojinetes Private Co.



SBPTH201-90 Bearing 2D drawings and 3D CAD models

FYH SBPTH201-90 Unidad De Rodamiento

Bearing No. SBPTH201-90

Bore Diameter	12 mm
Width	69 mm
d	12 mm
A0	29,9 mm
T1	69 mm
A	27 mm
A1	3,2 mm
B	22 mm
H	135 mm
J	75 mm
L	210 mm
L1	220 mm
N	9 mm
S	6 mm
T	88 mm
Bolt (G)	M8
A2	13,9 mm
J1	117 mm
J2	25 mm
Weight	0,91 Kg
Basic dynamic load rating (C)	9,55 kN
Basic static load rating (C0)	4,8 kN