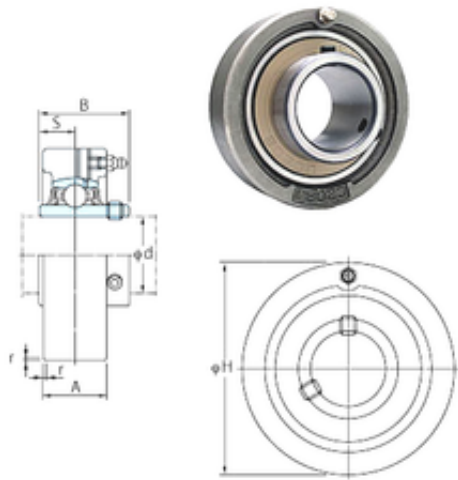




Bea cojinetes Private Co.

FYH UCC315 Unidad De Rodamiento

Bearing No. UCC315



UCC315 Bearing 2D drawings and 3D CAD models

Bore Diameter	75 mm
Width	82 mm
d	75 mm
r	4 mm
A	55 mm
B	82 mm
H	190 mm
S	32 mm
Weight	7,8 Kg
Basic dynamic load rating (C)	113 kN
Basic static load rating (C0)	77,2 kN