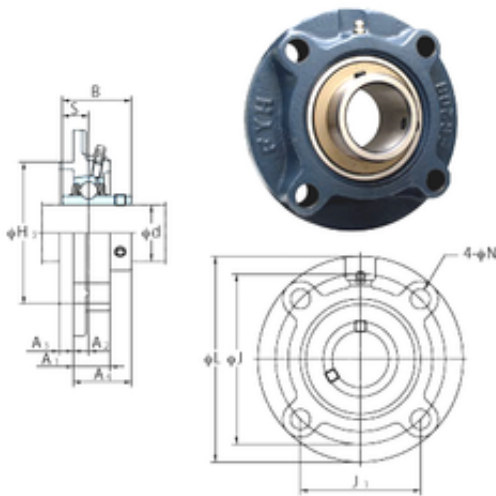




Bea cojinetes Private Co.

FYH UCFC212-36 Unidad De Rodamiento

Bearing No. UCFC212-36



UCFC212-36 Bearing 2D drawings and 3D CAD models

| | |
|-------------------------------|----------|
| Bore Diameter | 57,15 mm |
| d | 57,15 mm |
| H3 | 135 mm |
| A4 | 56,7 mm |
| A1 | 36 mm |
| B | 65,1 mm |
| J | 160 mm |
| L | 195 mm |
| N | 19 mm |
| S | 25,4 mm |
| Bolt (G) | M16 |
| A2 | 17 mm |
| A3 | 12 mm |
| J1 | 113,1 mm |
| Weight | 5 Kg |
| Basic dynamic load rating (C) | 52,4 kN |
| Basic static load rating (C0) | 36,2 kN |