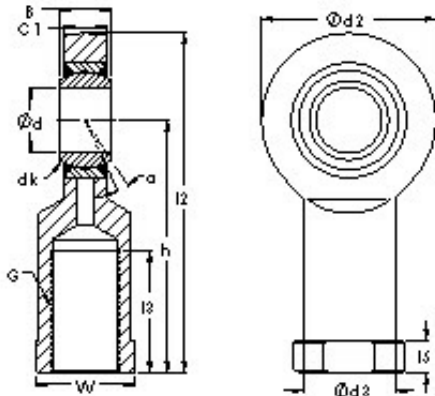




Bea cojinetes Private Co.



AST SIBP28S Rodamientos Deslizantes

Bearing No. SIBP28S

Bore Diameter	28 mm
Width	35 mm
Bearing Type - steel-on-bronze	steelonbronze
Bore Dia (d)	28.0000
Width (B)	35.0000
Radius (min) (rs)	0.600
Dynamic Load Rating (Cr)	59,000
Static Load Rating (Cor)	77,000
Spherical Diameter (dk or Dk)	47.630
Mis-alignment Angle (a deg.)	15
Thread Length (l1)	53.000
Bore Center to End of Rod (h)	103.000
Rod Overall Length (l2)	136.000
Rod End Thickness (C1)	25.000
Bore Center to Body (l7)	33
Thread Size (G)	M27 X 2
Rod End Width (d2)	66.000
Body Dia. (d3)	37.000
Body End Dia. (d4)	46.000
Body End Width (l5)	12.000
Body End Flats (W)	41.000
Weight (g)	949.00
Material - Body - Carbon steel-zinc plated, Ball -	Bronze

SIBP28S Bearing 2D drawings and 3D CAD models



Bea cojinetes Private Co.

Hardened chrome steel- chrome plated, Liner	
--	--