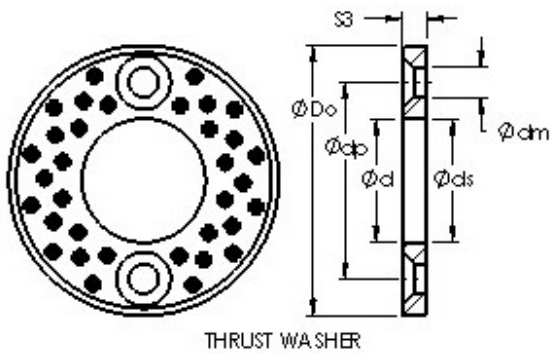




Bea cojinetes Private Co.



AST AST650 WC40 Rodamientos Deslizantes

Bearing No. AST650 WC40

Bore Diameter	40 mm
Outer Diameter	80 mm
Bearing Type	thrust washer
Shaft Dia., Nominal (d)	40.0000
Bearing Outside Diameter, Nominal (Do)	80.000
Washer Inside Diameter, Nominal (di)	40
Washer Outside Diameter, Nominal (Do)	80
Washer Thickness, Nominal (S3)	7
Washer Thickness Tolerance (S3 tol.) - +0 / -0.1	+0 / 0.1
Mounting Hole Dia. (dm)	7.000
Mounting Hole Pitch Dia. (dp)	60
Material	Cast bronze with solid lubricant inserts.

AST650 WC40 Bearing 2D drawings and 3D CAD models