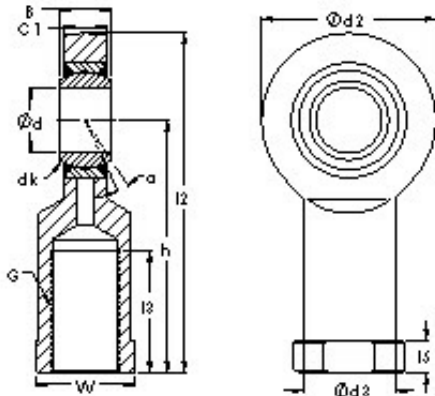




Bea cojinetes Private Co.



AST SIZP12S Rodamientos Deslizantes

Bearing No. SIZP12S

Bore Diameter	12,7 mm
Width	15,875 mm
Bearing Type - steel-on-bronze	steelonbronze
Bore Dia (d)	0.5000
Width (B)	0.6250
Radius (min) (rs)	0.024
Dynamic Load Rating (Cr)	3,372
Static Load Rating (Cor)	4,271
Spherical Diameter (dk or Dk)	0.937
Mis-alignment Angle (a deg.)	9
Thread Length (l1)	1.187
Bore Center to End of Rod (h)	2.125
Rod Overall Length (l2)	2.781
Rod End Thickness (C1)	0.500
Thread Size (G) - 1/2-20 UNF	1/220 UNF
Rod End Width (d2)	1.312
Body Dia. (d3)	0.735
Body End Dia. (d4)	0.875
Body End Width (l5)	0.250
Body End Flats (W)	0.750
Weight (g)	133.00
Material - Body - Carbon steel-zinc plated, Ball -	Bronze

SIZP12S Bearing 2D drawings and 3D CAD models



Bea cojinetes Private Co.

Hardened chrome steel- chrome plated, Liner	
--	--